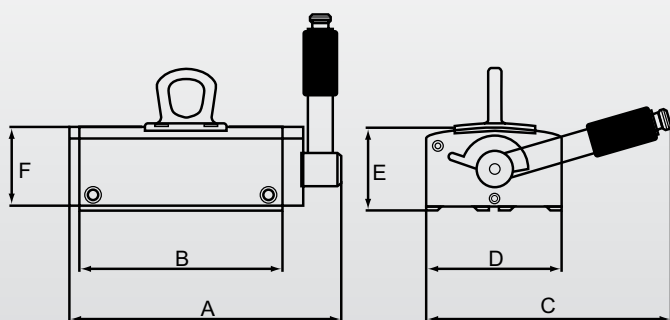


# Ultralift TP

## Lifting Magnet

The manually switchable permanent lifting magnet is perfect solution for moving thin, ferromagnetic materials (ferrous materials) with a material thickness from 5 mm in an efficient, fast, safe, purposeful and economic way.



### Application

- ▶ For flat material from 5 mm thickness, also for separating sheets
- ▶ Suitable for raw material, semi-finished and finished products because of soft lifting
- ▶ Usable in mechanical engineering, tool manufacturing, plant engineering, steel construction, shipbuilding, steel mill, transport company or materials store

### Features

- ⚙ Single-hand operation via hand lever with integrated safety locking
- ⚙ Max. operation temperature 80°C
- ⚙ Neodym magnets for small structural shape and high adhesive force
- ⚙ Equipped with four poles, therefore larger contact surface and particularly flat magnetic field

### Options

- ⚙ Services: Test according to German Accident Prevention Regulations and repair

Technical data	Dimensions [mm]						Load	Min. thickness	Max. length	Weight	No.
	A	B	C	D	E	F	SWL 3:1 Fh [kg]				
TP 150	202	150	181	100	126	74	75/150/200	5/8/10	1,500	8	47562
TP 300	352	300	181	100	126	74	150/300/400	5/8/10	2,000	15	47563