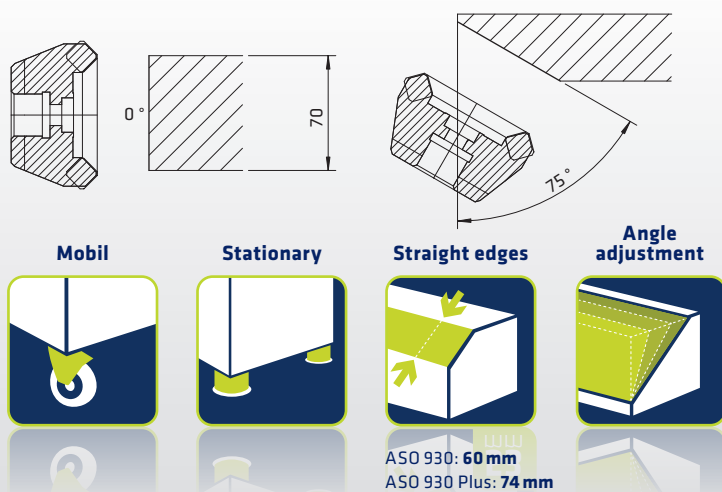


ASO 930 | ASO 930 Plus

Chamfering Machine, selfpropelling

With ASO 930 | ASO 930 Plus it is now possible to mill the front and bottom side of the workpiece. The workpiece no longer has to be turned. Extremely long tool life is achieved through low-speed (rpm) milling.



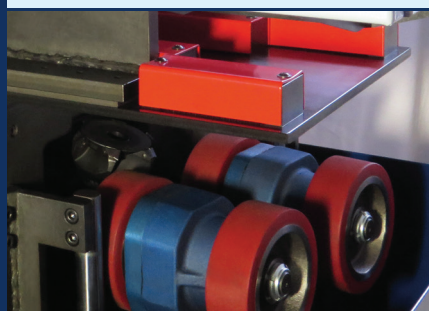
ASO 930 Plus



Further accessories can be found in our **Accessory Catalogue**.

Applications

- ▶ Particularly for heavy, long and large workpieces
- ▶ Face and bottom milling at an angle of 0°-76° with milling width up to 74 mm
- ▶ Mobile operation of roller carriage or with crane support or stationary



Features

- ⌚ Easy chamfer and angle adjustment
- ⌚ Automatic feed adjustment depending on the relevant material from 0 – 1.2 m/min.
- ⌚ Sturdy cast iron/steel construction,
- ⌚ Hardened work table with guide rollers
- ⌚ Working height 820 – 970 mm

Options

- ⌚ Speed regulation
- ⌚ Roughing cutter head RC 16
- ⌚ Cutter head WSX for workpieces < 8mm and smaller chamfers
- ⌚ Special version for workpiece thicknesses: 8 – 100 mm or < 8 mm

Delivery contents

- ⌚ Allen key 8 and 10 mm
- ⌚ Electric cable without plug
- ⌚ Automatic workpiece thickness adjustment with the ASO 930 Plus
- ⌚ Operating manual

Technical data

	ASO 930 ⌚	ASO 930 Plus ⌚
Motor	5.5 kW 800 rpm	5.5 kW 0-900 rpm
Energy	400 V, 50/60Hz	400 V, 50/60Hz
Maximum chamfer width	59 mm	74 mm
Angular adjustment	0° – 60°	0° – 75°
Workpiece thickness	8 – 60 mm	8 – 70 mm
Weight	205 kg	380 kg
Item no.	60269	67019